

DESIGN TITLE:

# KF5EYY SO2R

BY: ASHRAF CHAABANE

REV: 2.0

DATE:

31/01/2016

PAGE: 1 of 1

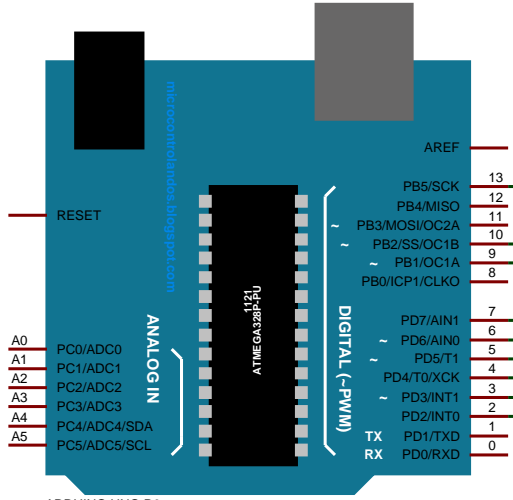
1- ALL AUDIO WIRES SHALL BE SHIELDED

2- AUDIO OUT FROM RADIOS SHALL HAVE GROUND LOOPS

3- SW1 IS TO MIX AUDIO IN BOTH L & R HEADPHONES

4- DEVICE WORKS ON WINTEST OR ANY LOGGING PROGRAM SUPPORTING OTRSP

DUINO1



LCD1  
LM016L

